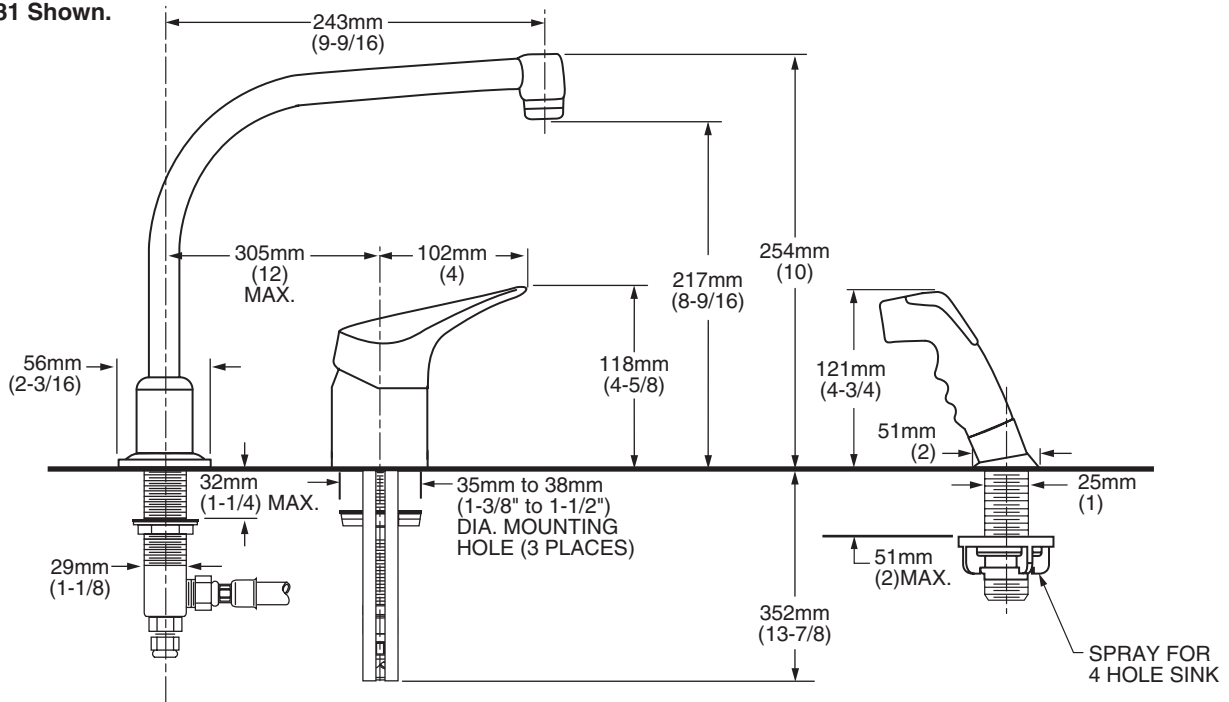




MODEL NUMBER:

- 2021.831 Kitchen Faucet**
 Color-matched Handspray.

2021.831 Shown.



GENERAL DESCRIPTION:

All brass body with metal handle and hi-flow brass swivel spout. Washerless 47mm ceramic disc valve cartridge with integral hot limit safety stop. 3/8" O.D. copper supplies. Flexible hose connections allow for variation in placement of handle, spout and spray. 2.2 gpm/8.3L/min. maximum flow rate. Color-matched handspray. Cap provided for less spray application.

PRODUCT FEATURES:

Ceramic Disc Valve Cartridge: Assures a lifetime of drip-free performance.

Memory Position Valving: Allows user to turn valve on and off at preferred temperature setting without readjusting handle position each time.

Adjustable Hot Limit Safety Stop: Limits the amount of hot water allowed to mix with cold. Reduces the risk of accidental scalding.

Brass and Copper Waterway: Highest quality faucet materials for durability and long life.

Low Lead: Meets NSF Standard 61/Section 9 & Prop 65 lead requirements.

SUGGESTED SPECIFICATION:

Single control kitchen fitting shall feature a brass body with all metal handle and brass swivel spout. Shall also feature washerless ceramic disc valve cartridge with integral hot limit safety stop. Fitting shall be American Standard Model # 2021.831._____.

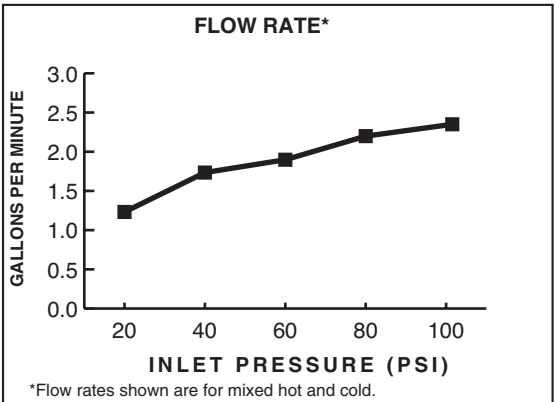


CERAMIX
SINGLE CONTROL KITCHEN FAUCET
 WITH HI-FLOW SPOUT

CODES AND STANDARDS

These products meet or exceed the following codes and standards:

- ANSI A117.1**
- ASME A112.18.1**
- CSA B 125**
- NSF 61/Section 9**



Product Number	Description	Finish*
		Polished Chrome
		002
2021.831	Kitchen faucet. Hi-flow swivel spout. Handspray.	

Meets the American Disabilities Act Guidelines and **ANSI A117.1** Requirements for the physically challenged.

***EverClean™ Finish:**

- Offered on Polished Chrome (002)
- One wipe effortlessly removes spots.
- Eliminates the need for cleaners and scrubbing.