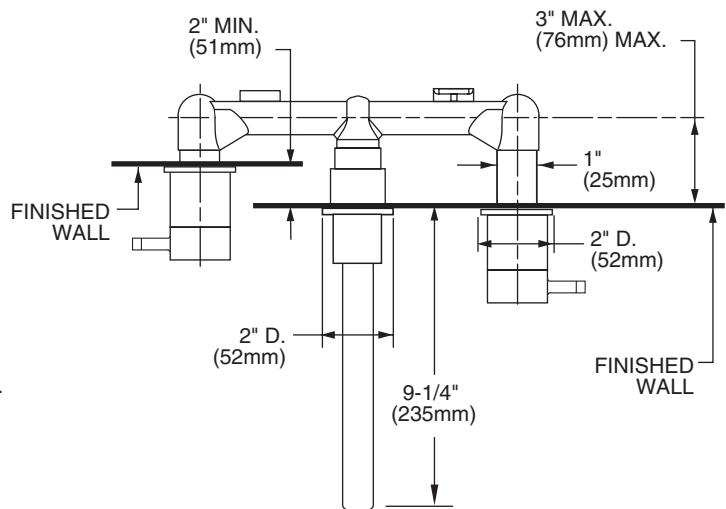
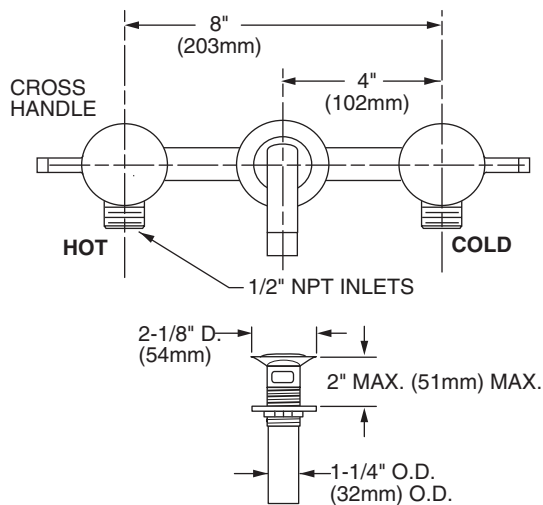


**MODEL NUMBER:**

2064.451 In-wall Lavatory Faucet  
Grid Drain



**GENERAL DESCRIPTION:**

Cast brass valve body on 8" centers. 1/4 turn washerless ceramic disc valve cartridges. Brass spout, metal lever handles. All brass grid drain body with 1-1/4" (32mm) tailpiece. 2.2 gpm/8.3L/min. maximum flow rate.

**PRODUCT FEATURES:**

**Brass Construction:** Durable. Easy to clean. Ideal for prolonged contact with water.

**Ceramic Disc Valve Cartridges:** Assures a lifetime of smooth handle operation and drip-free performance.

**Low Lead:** Meets NSF Standard 61/Section 9 & Prop 65 lead requirements.

**Choice of Finishes:** Available in Polished Chrome or Satin Nickel (PVD).

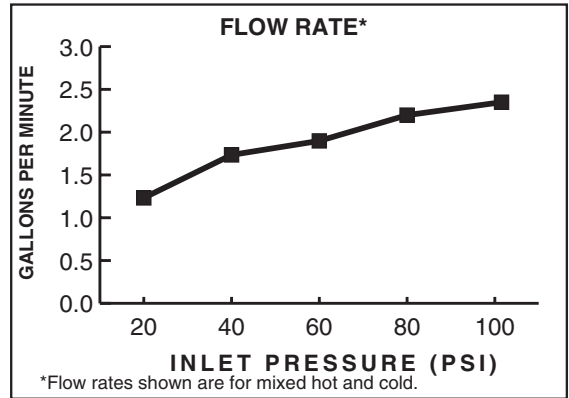
**SUGGESTED SPECIFICATION:**

Two handle in-wall lavatory faucet shall feature cast brass valve body. Shall also feature 1/4 turn washerless ceramic disc valve cartridges. Fitting shall be American Standard Model #2064.451\_\_.


**CODES AND STANDARDS**

These products meet or exceed the following codes and standards:

- ANSI A117.1**
- ASME A112.18.1**
- CSA B 125**
- NSF 61/Section 9**



Product Number	Description	Finish Options*	
		Polished Chrome	PVD Satin Nickel
2064.451	In-wall lavatory faucet with grid drain.	002	295

 Meets the American Disabilities Act Guidelines and **ANSI A117.1** Requirements for the physically challenged.

**\*EverClean™ Finish:**

- Offered on Polished Chrome (002) and Satin Nickel (295) finish.
- One wipe effortlessly removes spots.
- Eliminates the need for cleaners and scrubbing.