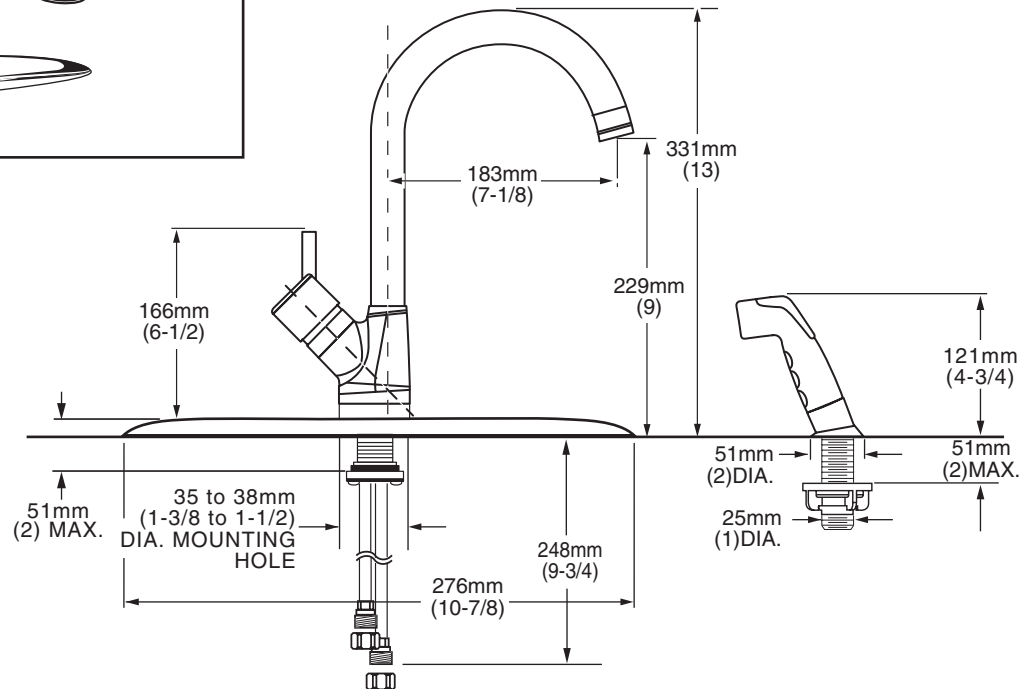




MODEL NUMBER:

- **4147.001 Kitchen Faucet With Hi-Flow Spout**
 Color-matched handspray. Escutcheon plate (installation is optional).



GENERAL DESCRIPTION:

Forged brass body and brass swivel spout with stamped brass escutcheon plate, and metal lever handle. Washerless 35mm ceramic disc valve cartridge with Hot Limit Safety Stop. 3/8" O.D. copper supplies with 1/2" male threaded connectors and nuts. 2.2 gpm/8.3L/min. maximum flow rate. Can be mounted with or without supplied escutcheon plate (escutcheon size 10-7/8"L x 2-1/2"W x 9/16H). Color-matched hand spray. Cap provided for less spray applications. Faucet can be right or left hand mounted.

PRODUCT FEATURES:

Ceramic Disc Valve Cartridge: Assures smooth, precise valve control and a lifetime of drip-free, maintenance free performance.

Brass and Copper Waterway: Highest quality faucet materials for durability & long life.

Memory Position Valving: Allows user to turn valve on and off at preferred temperature setting without readjusting handle position each time.

Adjustable Hot Limit Safety Stop: Limits the amount of hot water allowed to mix with cold. Reduces the risk of accidental scalding.

Low Lead: Meets NSF Standard 61/Section 9 & Prop 65 lead requirements.

Choice of Finishes: Wide range of durable finishes.

SUGGESTED SPECIFICATION:

Single control kitchen faucet shall feature a forged brass body and brass swivel spout. Stamped brass escutcheon plate, and metal lever handle. Shall also feature washerless ceramic disc valve cartridge with integral hot limit safety stop. Fitting shall be American Standard Model # 4147.001. _____.

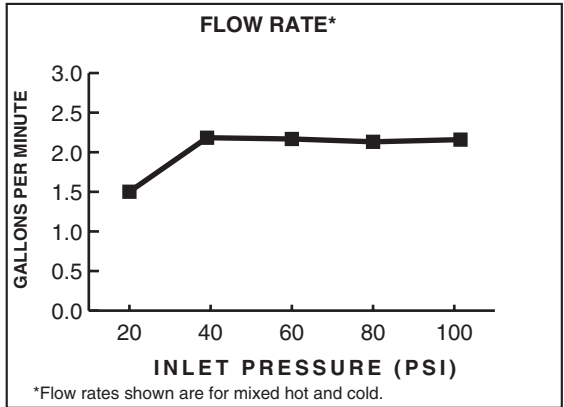


CULINAIRE™
SINGLE CONTROL KITCHEN FAUCET
 WITH HI-FLOW SPOUT

CODES AND STANDARDS

These products meet or exceed the following codes and standards:

- ANSI A117.1**
- ASME A112.18.1**
- NSF 61/Section 9**
- CSA B125**



Product Number	Description	Finish Options*			
		Polished Chrome	PVD Blackened Bronze	PVD Stainless Steel	PVD Satin Nickel
		002	068	075	295
4147.001	Hi-Flow Kitchen Faucet. Handspray. 3/8" O.D. copper inlets with 1/2" male threaded connectors.				

Meets the American Disabilities Act Guidelines and **ANSI A117.1** Requirements for the physically challenged.

***EverClean™ Finish:**

- Offered on Polished Chrome (002), Stainless Steel (075) and Satin Nickel (295) finish.
- One wipe effortlessly removes spots.
- Eliminates the need for cleaners and scrubbing.