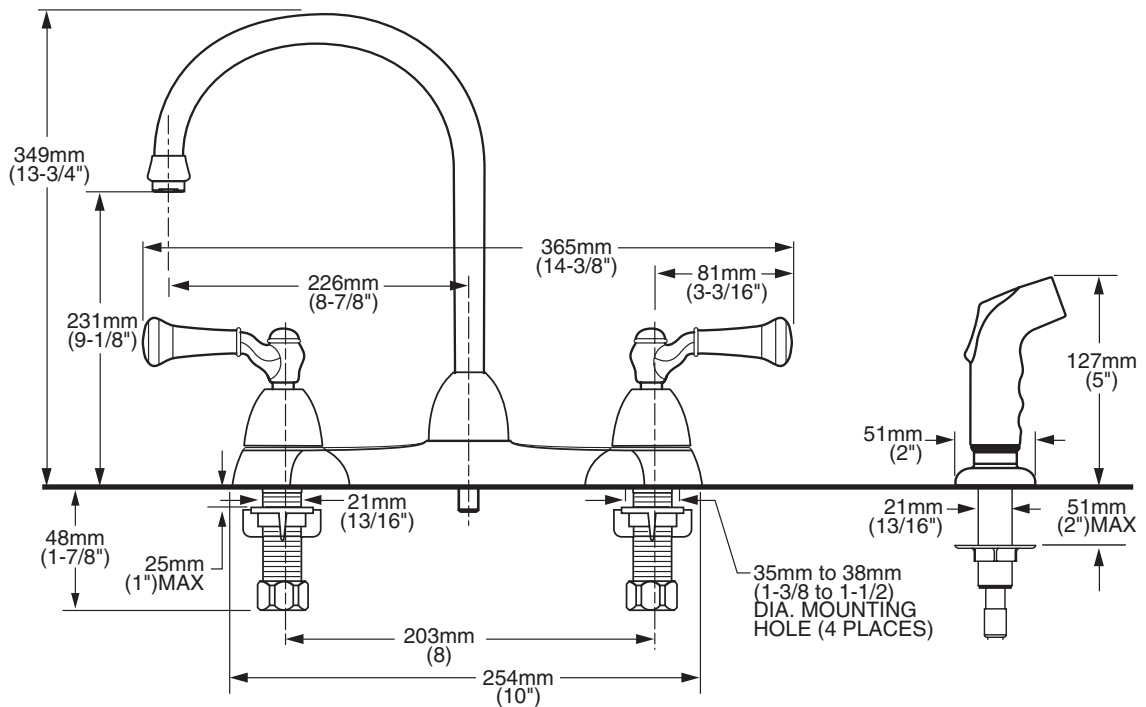


**TWO-HANDLE TOP-MOUNT KITCHEN FAUCET  
WITH BRASS GOOSENECK SPOUT**



**MODEL NUMBER:**

- ❑ **4271 Top-Mount Kitchen Faucet**  
Color-matched Handspray. Porcelain lever handles. Chrome Finish.
- ❑ **4271S Top-Mount Kitchen Faucet**  
Color-matched Handspray. Porcelain lever handles. Satin Nickel (PVD) Finish.



**GENERAL DESCRIPTION:**

Durable brass construction. 1/4 turn washerless ceramic disc valve cartridges - reversible for use on "hot" or "cold" side. Brass 22mm (7/8") diameter swivel spout. Genuine porcelain lever handles. Metal escutcheon plate (escutcheon size 10"L x 2-3/8"W). One-half inch male inlet shanks with brass coupling nuts. 2.2 gpm/8.3 L/min. maximum flow rate. Color matched hand spray. Cap provided for less spray application.

**PRODUCT FEATURES:**

**Ceramic Disc Valve Cartridges:** Assures a lifetime of drip-free performance.

**Brass Construction and Cast Brass Waterway:** Durable - Excellent in high use applications. Ideal for prolonged contact with water.

**Larger Spout:** Increased spout height, reach and diameter.

**Low Lead:** Meets NSF Standard 61/Section 9 & Prop 65 lead requirements.

**Choice of Finishes:** Available in Polished Chrome or Satin Nickel finishes.

**SUGGESTED SPECIFICATION:**

Two handle top-mount kitchen faucet shall feature cast brass construction with all brass inlet shanks and coupling nuts. Brass swivel spout. Shall also feature 1/4 turn washerless ceramic disc valve cartridges that are reversible for use on "hot" or "cold" side. Faucet shall be American Standard Model # 4271\_.

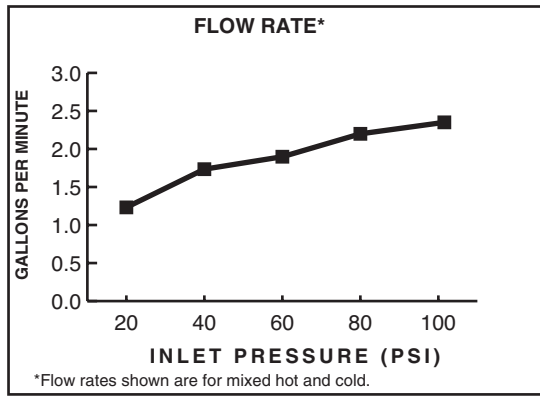


# Standard® TWO-HANDLE TOP-MOUNT KITCHEN FAUCET WITH BRASS GOOSENECK SPOUT

## CODES AND STANDARDS

These products meet or exceed the following codes and standards:

- ASME A112.18.1
- CSA B 125
- NSF 61/Section 9



Product Number	Description
4271	Top-Mount Kitchen Faucet. Porcelain lever handles. Chrome finish.
4271S	Top-Mount Kitchen Faucet. Porcelain lever handles. Satin Nickel (PVD) finish.

Meets the American Disabilities Act Guidelines and **ANSI A117.1** Requirements for the physically challenged.