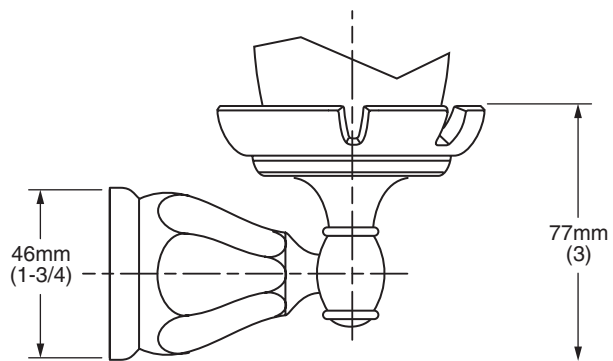
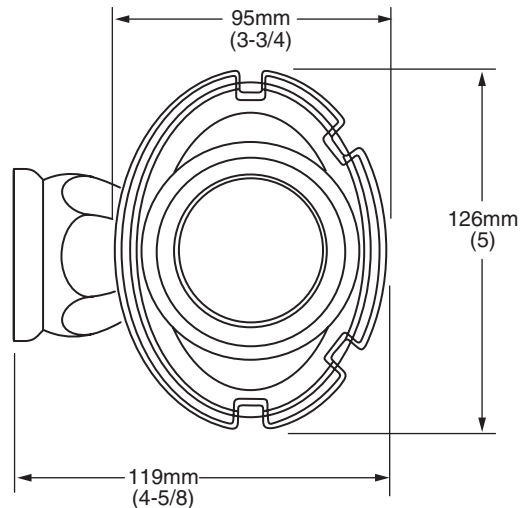
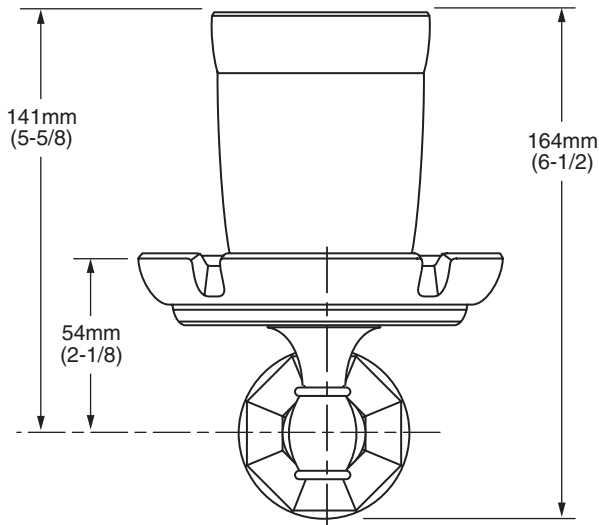


MODEL NUMBER:

☐ 6028.160 Tumbler/Toothbrush Holder

Available Finishes

.002	Polished Chrome
.295	Satin Nickel



PRODUCT FEATURES:

Heavy duty construction: Highest quality materials for durability & long life.

Concealed Mounting: No exposed set screws.

Materials of Construction: Body and Escutcheon - zinc. Toothbrush Holder and Tumbler - clear glass.

Easy to Install

Choice of Finishes: Polished Chrome and Satin Nickel.

SUGGESTED SPECIFICATION:

Tumbler/Toothbrush Holder shall feature heavy-duty construction. Shall feature concealed mounting. Toothbrush Holder and Tumbler shall be clear glass. Tumbler/Toothbrush Holder shall be American Standard Model # 6028.160____.