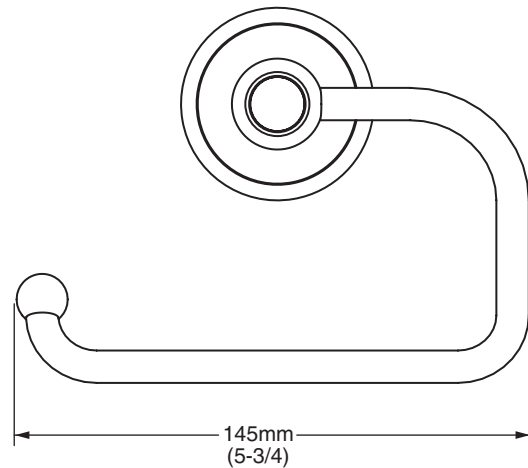
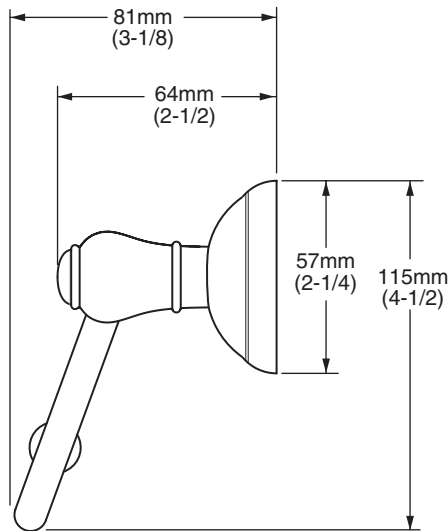


**MODEL NUMBER:**

☐ 6723 Toilet Paper Holder

**Available Finishes**

	Polished Chrome (no finish suffix needed)
S	Satin Nickel



**PRODUCT FEATURES:**

**Heavy duty construction:** Highest quality materials for durability & long life.

**Concealed Mounting:** No exposed set screws.

**Materials of Construction:** Body and escutcheon - brass.  
 Index button - porcelain.

**Easy to Install**

**Choice of Finishes:** Chrome and Satin Nickel.

**SUGGESTED SPECIFICATION:**

Toilet Paper Holder shall feature heavy - duty construction. Shall feature concealed mounting with no exposed set screws. Toilet Paper Holder shall be American Standard Model # 6723\_.