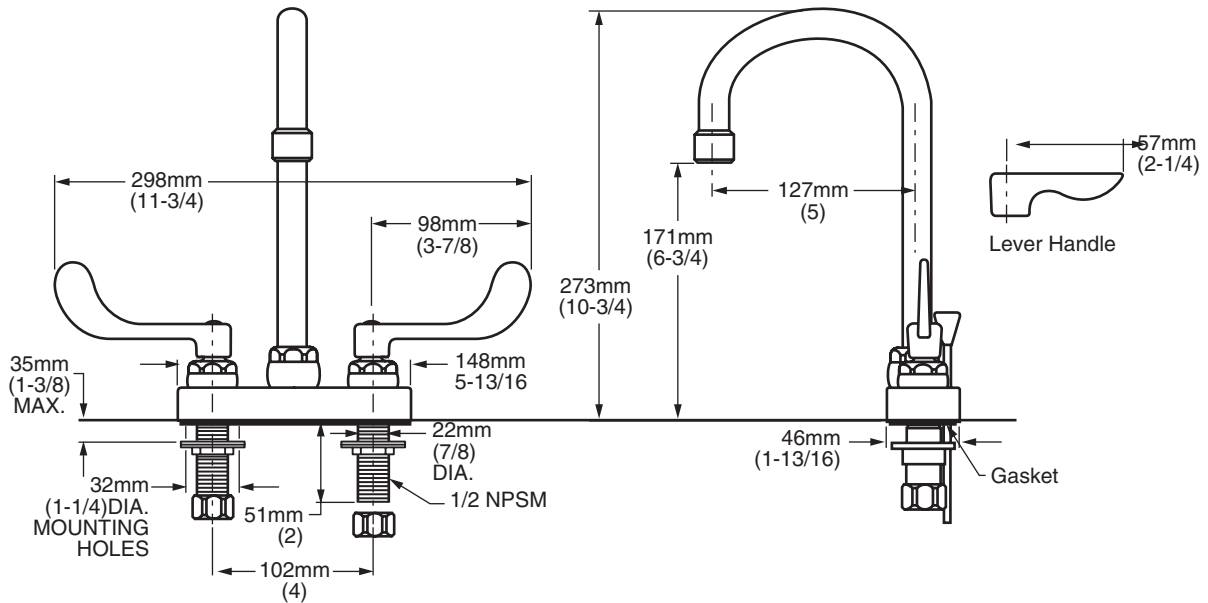


7501.170 Shown.

MODEL NUMBER:*

- 7500.170 Centerset Lavatory**
Wrist Blade handles. Less drain and pop-up hole.
- 7501.170 Centerset Lavatory**
Wrist Blade handles. Pop-up drain.
- 7502.170 Centerset Lavatory**
Wrist Blade handles. Grid strainer drain.
- 7500.140 Centerset Lavatory**
Lever handles. Less drain and pop-up hole.
- 7501.140 Centerset Lavatory**
Lever handles. Pop-up drain.
- 7502.140 Centerset Lavatory**
Lever handles. Grid strainer drain.



GENERAL DESCRIPTION:

Durable cast brass construction. 1/2" male threaded inlet shanks with brass shank nuts and coupling nuts. 1/4 turn ceramic disc valve cartridges that are reversible for use on both hot and cold sides. Convertible swivel/rigid spout. Choice of Wrist Blade or Lever handles with blue & red color indexes. All brass drain bodies with 1 1/4" (32mm) tailpieces (on applicable models). 2.2 gpm/8.3L/min. maximum flow rate. Optional aerators available. Vandal Resistant models are available and include Vandal Resistant handles and spray.

PRODUCT FEATURES:

- Solid Brass Construction:** Durable - Excellent in high use applications. Ideal for prolonged contact with water.
- Ceramic Disc Valve Cartridge:** Assures a lifetime of drip-free performance.
- Convertible Swivel/Rigid Spout:** Easily adjusted in the field.
- Low Lead:** Meets NSF Standard 61/Section 9 & Prop 65 lead requirements.
- Choice of Handle Configurations:** ADA approved Lever or Wrist Blade Handles.

SUGGESTED SPECIFICATION:

4" centerpiece lavatory faucet shall be cast brass construction with all brass shank nuts and coupling nuts. Shall also feature 1/4 turn washerless ceramic disc valve cartridges that are reversible for use on "Hot" and "Cold" sides. Fitting shall be American Standard Model # 750____.002.

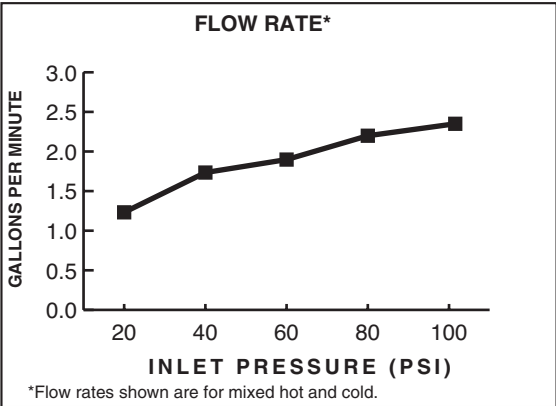


MONTERREY™
TWO-HANDLE CENTERSET LAVATORY FAUCET
 WITH GOOSENECK SPOUT

CODES AND STANDARDS

These products meet or exceed the following codes and standards:

- ASME A112.18.1
- CSA B 125
- NSF 61/Section 9



Product Number	Description	Finish
		Polished Chrome
		002
7500.170	Centerset Lavatory. Wrist Blade Handles. Less drain and pop-up hole.	
7501.170	Centerset Lavatory. Wrist Blade Handles. Pop-up drain.	
7502.170	Centerset Lavatory. Wrist Blade Handles. Grid strainer drain.	
7500.140	Centerset Lavatory. Lever Handles. Less drain and pop-up hole.	
7501.140	Centerset Lavatory. Lever Handles. Pop-up drain.	
7502.140	Centerset Lavatory. Lever Handles. Grid strainer drain.	

Note: For Vandal Resistant models add "VP" following the product number.
 Example - 7500.170VP = Centerset Lavatory. Vandal Resistant Wrist Blade Handles. Less drain and pop-up hole.

Meets the American Disabilities Act Guidelines and **ANSI A117.1** Requirements for the physically challenged.