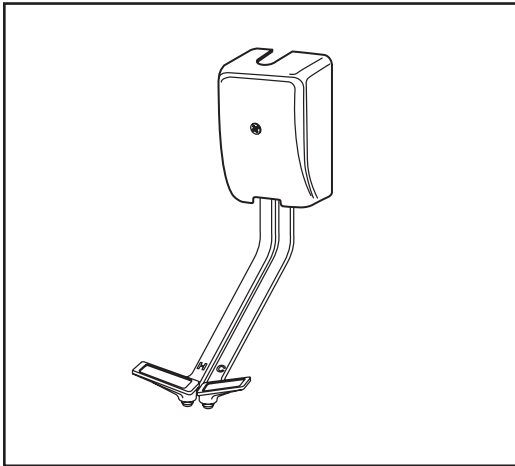
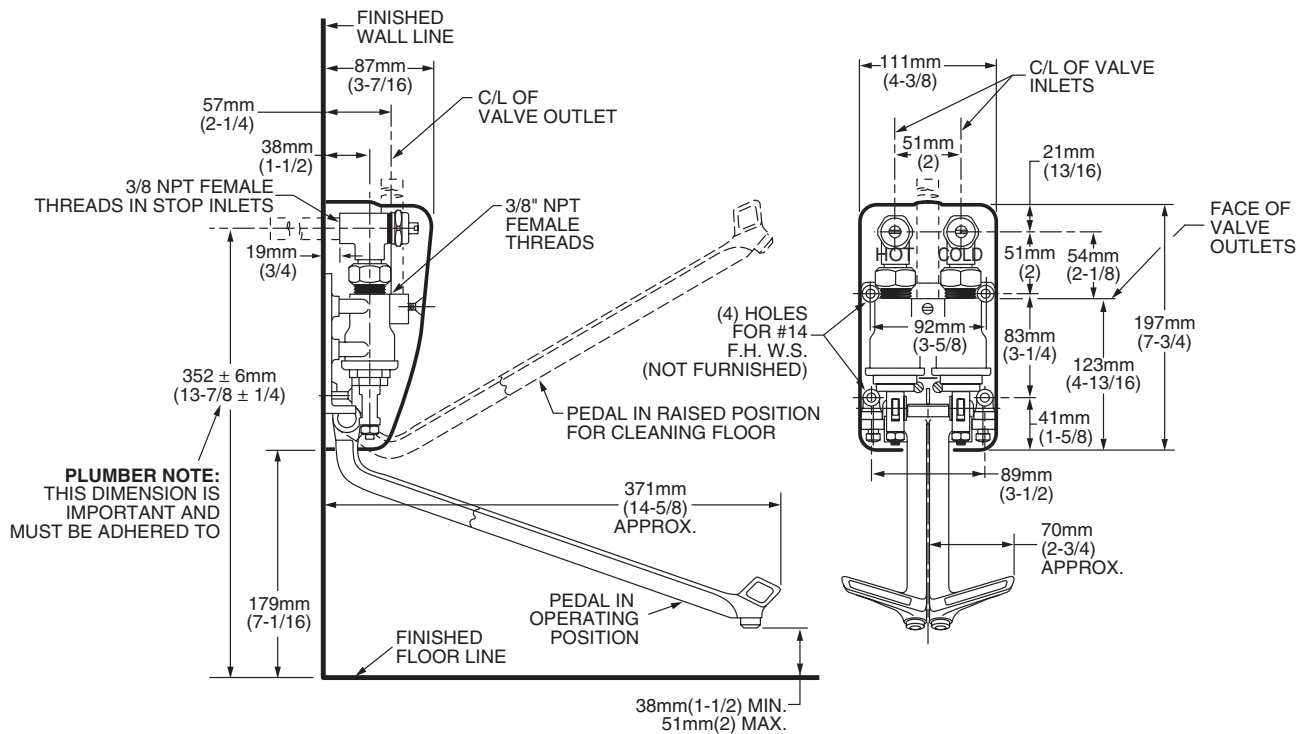


SELF-CLOSING DOUBLE PEDAL VALVE FLOOR MOUNTED



MODEL NUMBER:

- 7679.012 Self-Closing Double Pedal Valve**
 Wall mounted. Renewable seats. Screwdriver stops.



GENERAL DESCRIPTION:

Combination cast brass valve body with wall mounted self-closing double pedal valve with renewable seats. Built-in screwdriver stops. Chrome plated housing. Wall inlets are 3/8" female NPT on 2" (51mm) centers. 3/8" female NPT top outlet.

PRODUCT FEATURES:

Brass Construction: Durable - excellent in high use applications.

Cast Aluminum Foot Action Mixing: Water supply controlled by self-closing cast aluminum pedals marked "hot" and "cold". Renewable seats.

Polished Chrome Finish: Excellent in commercial applications.

SUGGESTED SPECIFICATION

Wall mounted double pedal valve shall feature cast brass valve body, hot and cold aluminum pedals and chrome plated housing. Brass valve to be self-closing. Shall feature individual hot and cold valves with renewable seats and screwdriver stops. Fitting shall be American Standard Model# 7679.012.