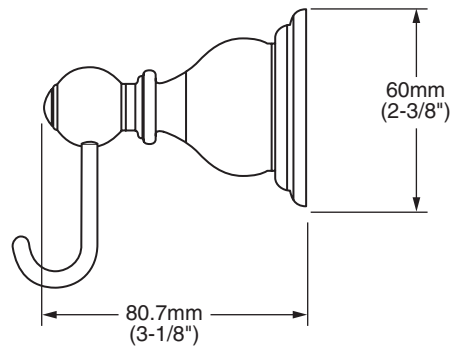


MODEL NUMBER:

■ 8040.210 Robe Hook

Available Finishes

.228	Polished Chrome w/extra PVD Polished Brass accents
.234	PVD Satin Nickel w/extra Polished Chrome accents
.246	PVD Satin Nickel w/extra PVD Polished Brass accents
.099	PVD Polished Brass



PRODUCT FEATURES:

Materials of Construction: Solid brass construction for durability & long life.

Concealed Mounting: No exposed set screws.

Easy to Install

Choice of Finishes: Chrome, PVD Brass and PVD Satin Nickel. PVD finish on all Polished Brass and Satin Nickel components will never tarnish.

SUGGESTED SPECIFICATION:

Robe Hook shall feature solid brass construction with tarnish - free PVD finish on all Polished Brass and Satin Nickel components. Shall feature concealed mounting with no exposed set screws. Robe Hook shall be American Standard Model # 8040.210.____.