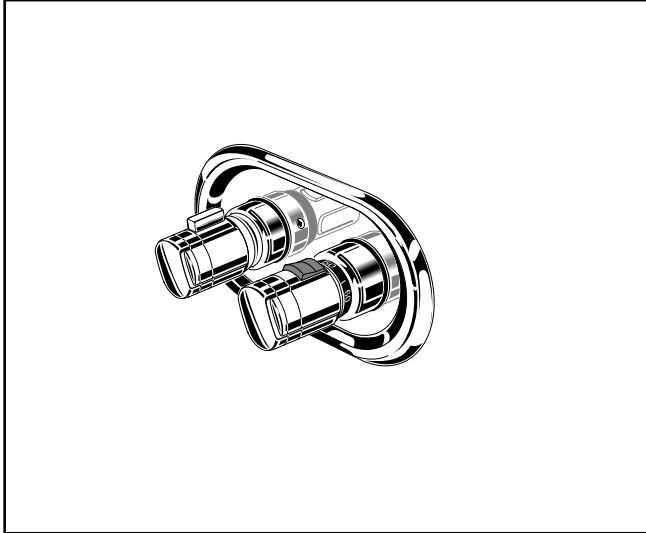


American Standard

CERATHERM

TWO-HANDLE THERMOSTAT WITH SEPARATE VOLUME CONTROL



MODEL NUMBER:

- ☐ **2050.210 Two-Handle Thermostatic Bath/Shower Valve**
With separate volume control.

NOTE:

- When used as a Bath/Shower:

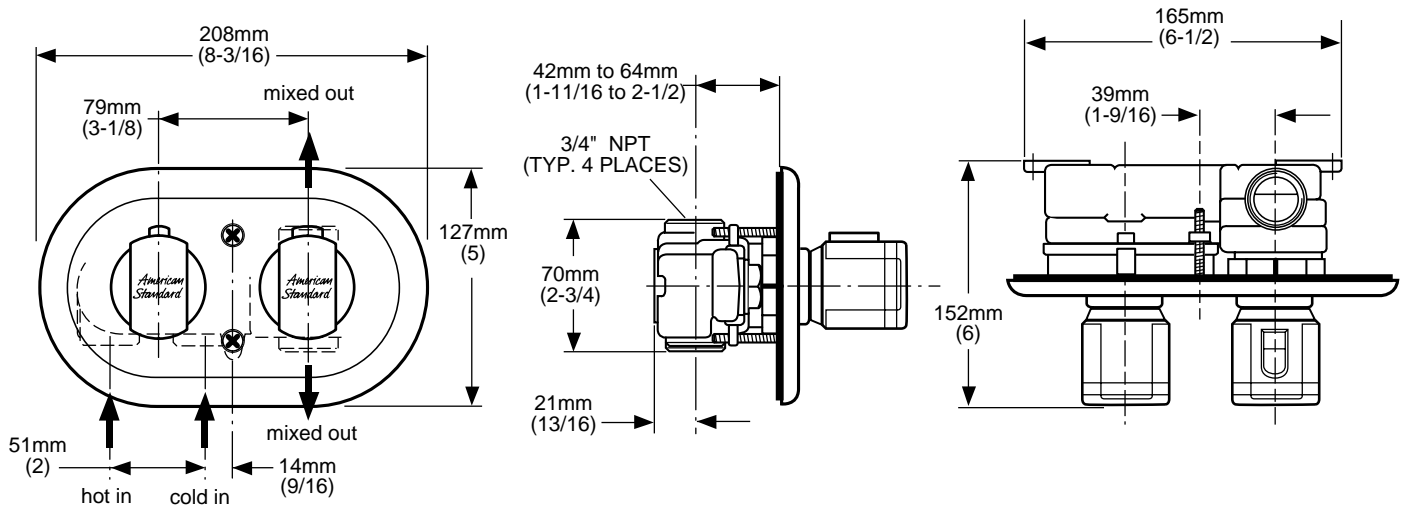
EITHER

- a separate diverter valve (such as 1660.430 or 1660.440)

OR

- a diverter tub spout (requires twin ell - Model # 8888.120)

IS REQUIRED



GENERAL DESCRIPTION:

Cast brass valve body. The single unit contains two knob handles, one to set the desired temperature and one to function as an on/off, volume control. The temperature is maintained by a wax element moving a shuttle valve between hot and cold. The volume is controlled by twin ceramic disc valve cartridges. Ceratherm also features a maximum limit of 112 degrees Fahrenheit. Escutcheon plate is stamped brass. Inlets and outlets are 3/4" NPT. The valve has a high flow rate, ideal for multiple outlet installations.

PRODUCT FEATURES:

Brass Casting: Highest quality faucet material for durability & long life.

Wax Thermostatic Unit: Permits shuttle valve to move between the hot and cold seats to maintain the pre-selected constant water temperature.

Adjustable Hot Limit Safety Stop: Limits the amount of hot water allowed to mix with cold. Reduces the risk of accidental scalding. Maximum water temperature may be reduced to 104 or 109 degrees Fahrenheit.

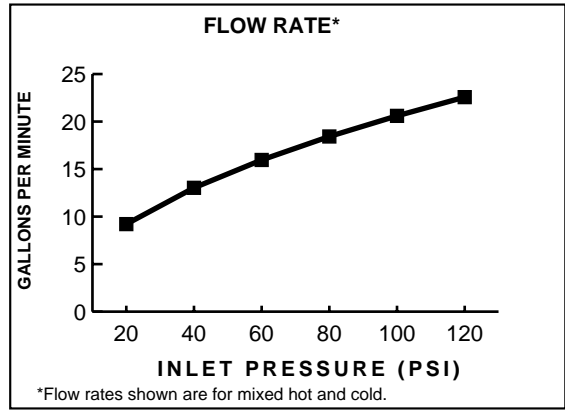
SUGGESTED SPECIFICATION:

Two-handle Thermostat shall feature a cast brass valve body. Thermostat shall be a wax element shuttle valve. Shall also feature washerless ceramic disc valving and 3/4" NPT inlets/outlets. Fitting shall be American Standard Model # 2050.210.____.

CODES AND STANDARDS

These products meet or exceed the following codes and standards:

- ASSE 1016
- ASME A112.18.1M
- CSA B125



Product Number	Description	Finish Options			
		Polished Chrome	PVD Polished Brass	PVD Satin	PChrome w/Brass (PVD) Mixage
		002	099	295	299
2050.210*	Two handle thermostat with separate volume control.				

***NOTE:** When used as a Bath/Shower a separate diverter valve is required (such as 1660.430 or 1660.440).
 • Requires twin ell (Model #8888.120 - must be ordered separately) for use with diverter spouts.