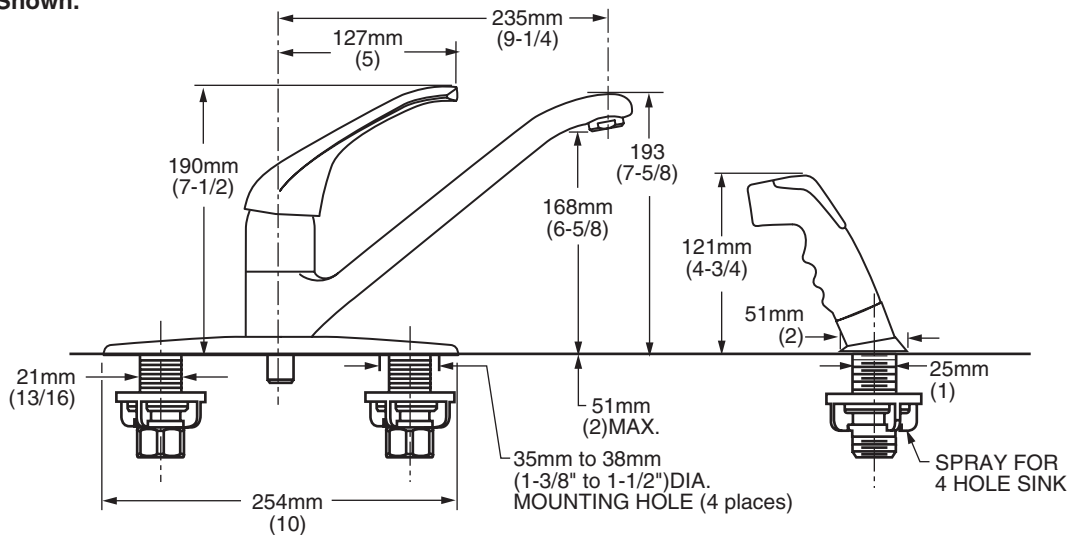


4205.001 Shown.



GENERAL DESCRIPTION:

Washerless 47mm ceramic disc valve cartridge with integral hot limit safety stop. Cast brass waterway with 1/2" male inlet shanks. Cast brass 9-1/4" (235mm) swivel spout, metal escutcheon plate (escutcheon size 10" L x 2-5/16" W), and metal handle. 2.2 gpm/8.3L/min. maximum flow rate.

PRODUCT FEATURES:

Ceramic Disc Valve Cartridge: Assures a lifetime of drip-free performance.

Cast Brass Waterway, Cast Brass Spout: Highest quality faucet materials for durability and long life.

Higher and Longer Spout: Spout designed to allow more room under spout and extended reach into the sink.

Memory Position Valving: Allows user to turn valve on and off at preferred temperature setting without readjusting handle position each time.

Adjustable Hot Limit Safety Stop: Limits the amount of hot water allowed to mix with cold. Reduces the risk of accidental scalding.

Low Lead: Meets NSF Standard 61/Section 9 & Prop 65 lead requirements.

Choice of Finishes: Wide range of durable finishes.

Simple Installation: Fast and easy one person installation. Faucet drops in from top. Quick-spin nuts secure faucet in place.

SUGGESTED SPECIFICATION:

Single control kitchen faucet shall feature a cast brass body and swivel spout, and all metal handle. Shall also feature washerless 47mm ceramic disc valve cartridge with integral hot limit safety stop. Fitting shall be American Standard Model # 4205.____.____.

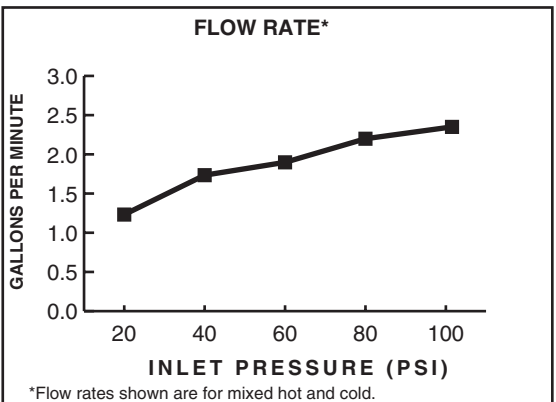


RELIANT+
SINGLE CONTROL KITCHEN FAUCET
 WITH CAST BRASS SPOUT

CODES AND STANDARDS

These products meet or exceed the following codes and standards:

- ANSI A117.1**
- ASME A112.18.1**
- CSA B 125**
- NSF 61/Section 9**



Product Number	Description	Finish Options*		
		Polished Chrome	Bone	White Heat
		002	021	208
4205.001	Kitchen faucet. Cast brass waterway with 1/2" male inlet shanks. Separate handspray.			
4205.000	Kitchen faucet. Cast brass waterway with 1/2" male inlet shanks. Less handspray.			
4205.003	Kitchen faucet. Cast brass waterway with 1/2" male inlet shanks. Handspray through escutcheon.			

Meets the American Disabilities Act Guidelines and **ANSI A117.1** Requirements for the physically challenged.

***EverClean™ Finish:**

- Offered on Polished Chrome (002).
- One wipe effortlessly removes spots.
- Eliminates the need for cleaners and scrubbing.