

Little GIANT[®]

Pump Company

TE-5-MD-SC



Features

- Thermally Protected, Totally Enclosed, Permanent Split Capacitor Motor
- Ball Bearings
- 6' Power Cord with 3-Prong Plug (Not installed)
- Specific Gravity to 1.1
- Fluid Temperature to 150 Degrees F.
- Ambient Air Temperature to 77 Degrees F.
- NOTE: Consult your local distributor or the factory for applications with higher ambient temperatures, specific gravities and viscosities.

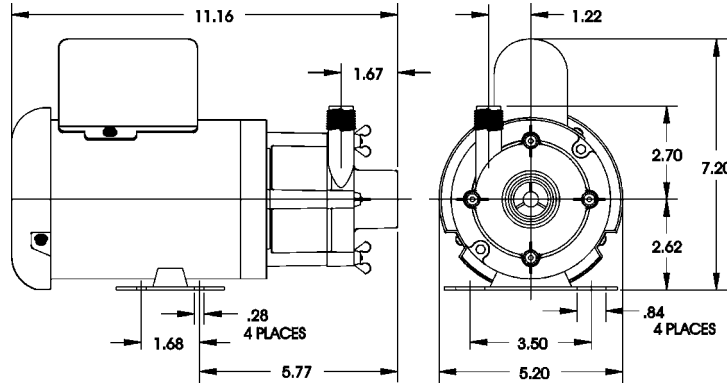
Construction

- Volute — Glass-filled Polypropylene
- Housing — Glass-filled Polypropylene
- Impeller — Glass-filled Polypropylene
- Shaft — Ceramic
- Thrust Washers — Ceramic
- O-Ring — Nitrile

The Little Giant MD-SC series features leakproof, seal-less magnetic drives and are designed for in-line, non submersible use. Volute, magnet housing and impeller are glass-filled polypropylene for excellent chemical resistance. Ceramic shaft and thrust washers are 99.5% pure alumina for excellent wear and trouble-free service. Pumping heads are easily rotated, cleaned or serviced with no special tools required. Spindle shaft is supported at both ends to prevent impeller damage during start-up and stop of pump.

Little Giant Pump Co.

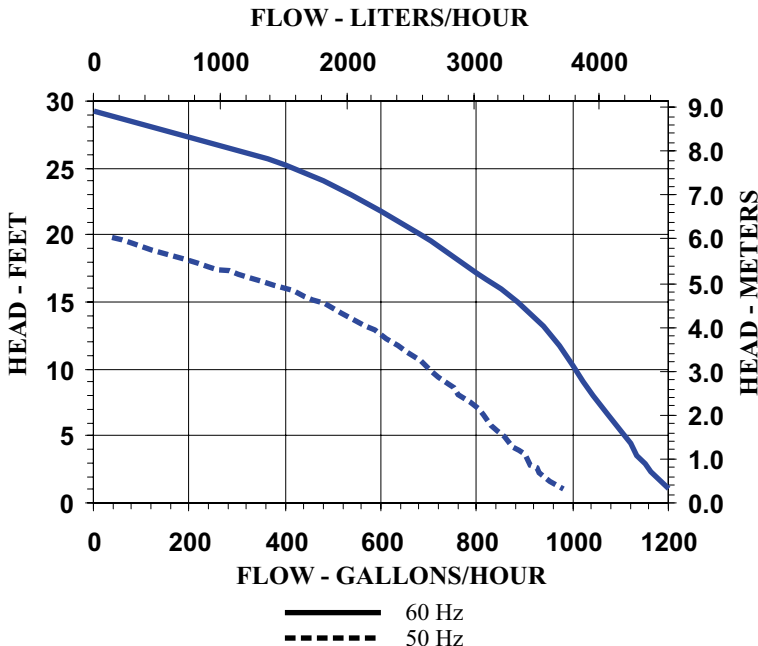
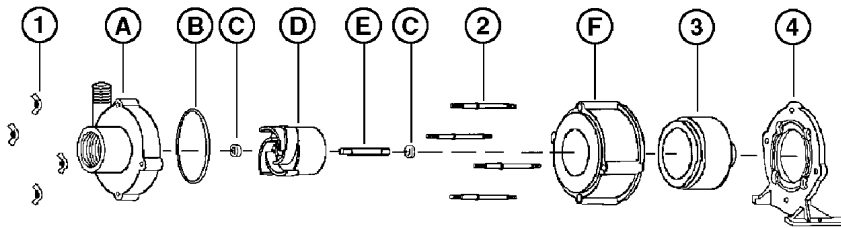
TE-5-MD-SC



NOTE: Designs and dimensions may vary for various reasons (i.e. type of motor). This information should be used as general guide rather than an unqualified guarantee. Specifications are subject to change without prior notice.

Specifications

Model No.	Item No.	Intake	Discharge	Listing(s)	HP	Volts	Hertz	Amps	Watts	Performance (GPH @ Head)					Shut Off		Pwr. Cord (ft)	Weight (Lbs.)
										1'	3'	6'	9'	15'	Feet	PSI		
TE-5-MD-SC	584504	1" FNPT	1/2" MNPT	UR/C-CSA	1/10	115	50/60	2.3/3.0	220/325	1200	1152	1090	1020	858	29.3	12.7	6	19.00
TE-5-MD-SC	584598	1" FNPT	1/2" MNPT							1200	1152	1090	1020	858	29.3	12.7		1.83



Replacement Parts

ITEM	PART NO.	DESCRIPTION
A	183065	Volute
B	924007	O-Ring
C	921077	Thrust Washer
D	183139	Impeller
E	180057	Shaft
F	182005	Housing
1	920003	Wing Nut
2	911403	Stud, Collared
3	183602	Drive Magnet

Note: Parts A-F Contact Fluid.

Little Giant Pump Co.
 PO Box 12010
 Okla. City, OK 73157
 Phone: 405.947.2511
 Fax: 405.228.1550
www.LittleGiantPump.com