

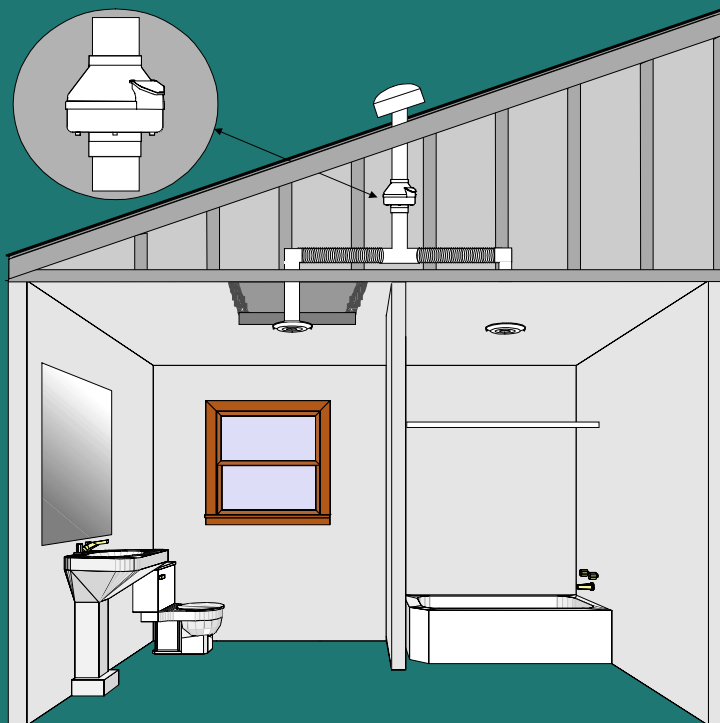


INLINE FANS

RV SERIES

APPLICATIONS:

- Bathroom Exhaust
- Meeting Room Venting
- Fresh Air Supply
- Building Pressurization
- Game Room Venting
- Duct Boosting
- Garage Venting
- Basement Fresh Air Supply



BATHROOM EXHAUST



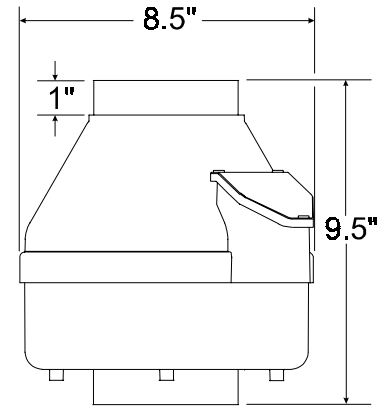
FEATURES:

- Remote Mounting
- Ultra Quiet
- HVI Certified
- Rated for Continuous Operation
- Commercial or Residential
- Five Year Warranty

RV SERIES PRODUCT SPECIFICATIONS

Spruce RV Series Inline Fans are remotely mounted virtually eliminating room noise. All RV Series Fans are rated for continuous operation, are suitable for venting wet environments and carry a five year hassle free warranty. Mounting bracket included.

FAN DIMENSIONS



FAN SELECTION GUIDELINES

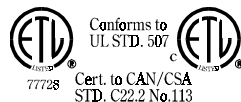
Model	CFM @ .2" WC	Duct	Bathroom Exhaust Based on 8 ACH	Living or Office Areas		Building Pressurization
				Intermittent - 6 ACH	Continuous - 0.35 ACH	
RV100	100	4"	Up to 95 sq. ft.	Up to 125 sq. ft.	Up to 2150 sq. ft.	To 2000 sq. ft.
RV125	110	4"	Up to 105 sq. ft.	Up to 140 sq. ft.	Up to 2360 sq. ft.	To 2500 sq. ft.
RV150	140	4"	Up to 130 sq. ft.	Up to 175 sq. ft.	Up to 3000 sq. ft.	To 3000 sq. ft.
RV175	160	5"	Up to 150 sq. ft.	Up to 200 sq. ft.	Up to 3425 sq. ft.	To 3000 sq. ft.
RV200	170	6"	Up to 160 sq. ft.	Up to 215 sq. ft.	Up to 3650 sq. ft.	To 4000 sq. ft.
RV250	190	6"	Up to 180 sq. ft.	Up to 240 sq. ft.	Up to 4075 sq. ft.	To 5000 sq. ft.

ACH = Air Changes per Hour

FAN PERFORMANCE

Model	Watts	Weight	Typical CFM vs. Static Pressure						
			0"	.2"	.5"	.75"	1.0"	1.25"	1.5"
RV100	35-44	6 lbs.	113	100	72	48	19	--	--
RV125	48-68	6 lbs.	116	110	98	88	72	57	44
RV150	48-65	6 lbs.	152	140	120	100	77	53	26
RV175	50-65	6 lbs.	174	160	137	112	83	47	11
RV200	49-65	6 lbs.	184	170	145	123	92	48	1
RV250	68-116	7 lbs.	218	190	150	124	95	62	27

Specifications subject to change without notice.



Per HVI's Certified Ratings Program, charted air flow performance has been derated by a factor based on actual test results and the certified rate at .2" WC.



Environmental Technologies, Inc.

187 Neck Road
P.O. Box 8244
Ward Hill, MA 01835
http://www.spruce.com

Tel. (800)-355-0901
Tel. (978)-521-0901
Fax. (978)-521-3964
email: sales@spruce.com

Distributed By:

www.SuperHVAC.com



A Division of Jupiter Sales & Media