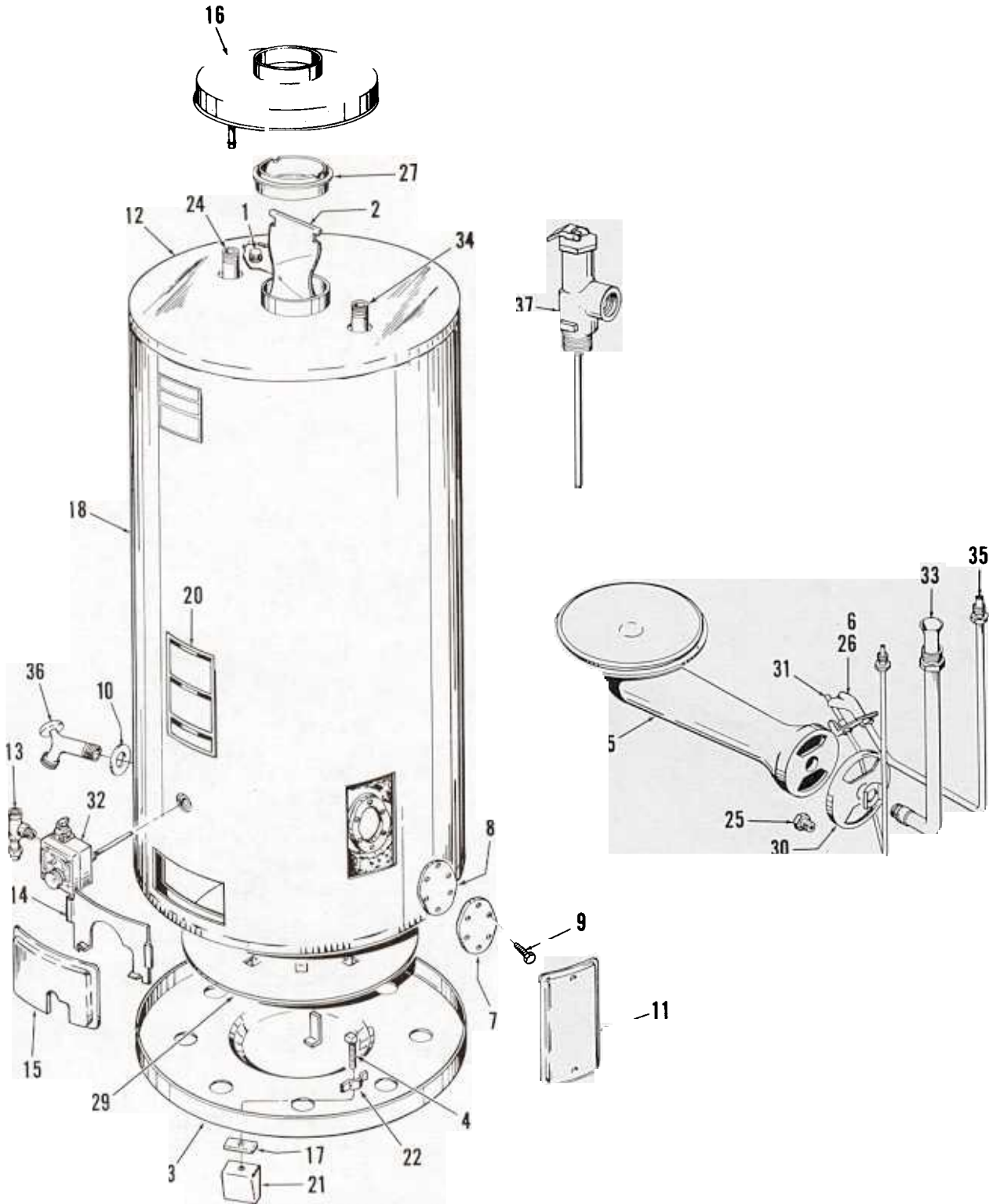


GAS

PSD-3-598/a

TANK TYPE WATER HEATER PARTS LIST MODELS BT-80 thru BT-100 SERIES 230 and 231



A. O. SMITH
WATER PRODUCTS
COMPANY

5621 W. 115TH STREET • ALSIP, ILLINOIS 60803
PHONE: 1-800-433-2545 • FAX: 1-800-433-2515 • WWW.HOTWATER.COM

<u>Item</u>	<u>Description</u>	<u>BT-80</u>	<u>BT-100</u>
1	Anode Rod	43817-42	43817-50
2	Baffle, Flue	10089-1	160698-1
3	Base, Jacket	39921-4	39921
4	Bolt, Special	20093-3	20093-3
5	Burner, Main:		
	Natural Gas	41157	41157-1
	Propane Gas	41157	41157-1
6	Burner, Pilot:		
	Natural Gas	<u>160228</u>	<u>160228</u>
	Propane Gas	<u>160228-1</u>	<u>160228-1</u>
	Cleanout Assembly:		
7	Cover, Cleanout	<u>99037</u>	<u>99037</u>
8	Gasket	<u>99038</u>	<u>99038</u>
9	Screw	69852-1	69852-1
10	Collar, Pipe	20172-14	20172-14
11	Cover, Front	181260	181260
12	Cover, Top	180926	181256
13	Dirt Leg (Propane Gas Only)	43761	43761
14	Door, Inner	39923	39923
15	Door, Outer	39112-1	39112-1
16	Hood, Draft	39072	39072
17	Insulator	33581-1	33581-1
18	Jacket, Outer	39972-3	39945-2
19	* Labels:		
	California	42985	42985
	Cleanout	78754	78754
	Inlet Tube	40447-3	40447-3
	Instruction:		
	Natural Gas	182566-0	182566-0
	Propane Gas	182566-1	182566-1
	Lime Tamer	78640	78640
	Relief Valve	191068	191068
	800 Help Line	190600	190600
20	Label, Lighting and Operating	182106	182106
21	# Leg	160937-1	160937-1
22	Loop, Bolt	29511	29511
23	* Manual, Instruction	182588-0	182588-0
24	Nipple, Pipe	43879	41319
25	Orifice, Main Burner:		
	Natural Gas	29366-23	29366-19
	Propane Gas	181778-37	181778-37
26	Orifice, Pilot Burner:		
	Natural Gas	21058	21058
	Propane Gas	21059	21059
27	Restrictor, Flue	35405	35405
28	* Shield, Radiation - Lower	----	----
29	Shield, Radiation - Upper	39098-1	39098
30	Shutter, Air	35376	35376
31	Thermocouple	<u>35489-2</u>	<u>35489-2</u>
32	Thermostat:		
	Natural Gas	<u>190015</u>	<u>190015</u>
	Propane Gas	<u>191855</u>	<u>191855</u>
33	Tube, Burner	39114-1	39114-1
34	Tube, Inlet	41312-26	41314-30
35	Tube, Pilot	160190	160190
36	Valve, Drain	26273-7	26273-7
37	Valve, T & P	43151	43151

* Not illustrated.

Part numbers underlined are recommended stock items for emergency replacements.
Request parts from Water Products Company by giving all information such as model and series number, type of gas and specifications.
For delimiting procedures, request manual no. 4800.
Parts list PSD-3-598/a supersedes PSD-3-598.